

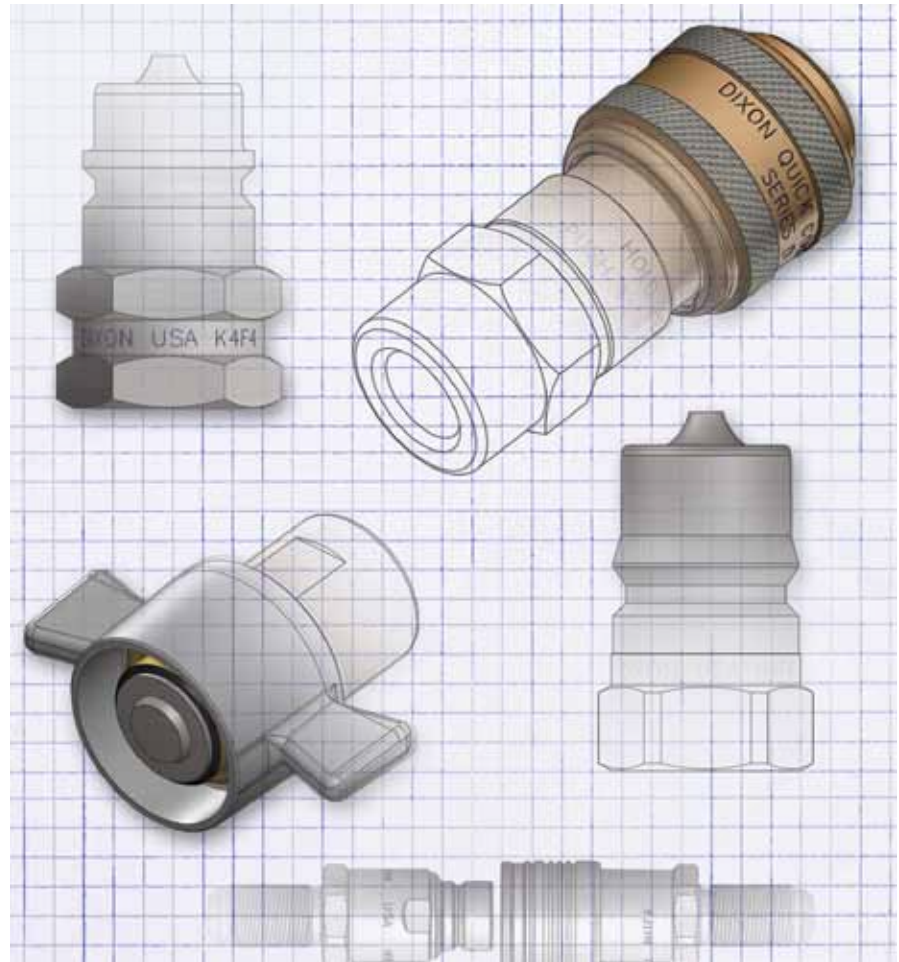


The Right Connection™

## The Fabulous Five

### *North America's Most Popular Quick Couplings*

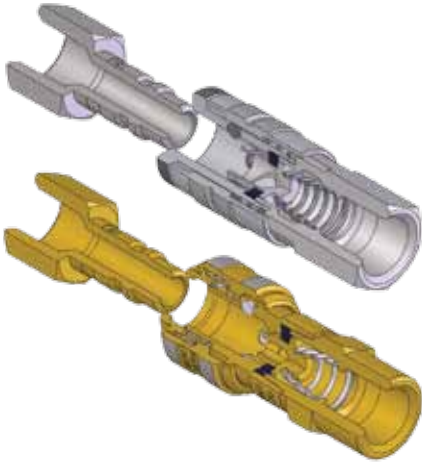
Across North America, there are five popular quick coupling styles that serve a wide variety of mobile and industrial applications. Incorporating these products into your current hydraulic and pneumatics package will ensure success in the development of your chosen markets, allowing you to grow with your customer's expanding needs for quick coupling technology.



- The Fabulous Five will allow you to focus your sales activities and training programs on a select group of products.
- Inventory control is made easier by allowing your purchasing group to focus on a simplified product offering, in support of sales force activities.
- Sales for supplementary quick coupling products will grow as your Fabulous Five market share increases.
- Counter sales order fulfillment is improved by providing a focused selection of products for rapid deployment.

---

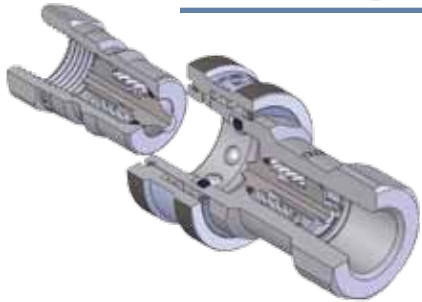
## DF - Series



- Interchangeable with Parker 20/30-Series and other MIL-C-4109F/ISO6150B couplings.
- Automatic couplers have a reverse-acting sleeve for easy connection and safe one-handed disconnection.
- Manual couplers have a sleek profile, with sleeve-guard lip to prevent accidental disconnection.
- Available in steel, brass, and 303 stainless steel
- Available in sizes 1/4" to 3/4"

---

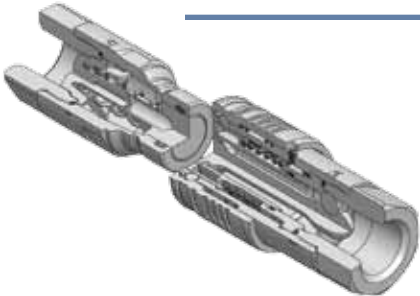
## H - Series



- Interchangeable with Parker 60-Series, Eaton FD45-Series, and Snap-Tite 72-Series.
- Standardized product variations available to meet the requirements of slide-gate, food service, and steam applications.
- Meets or exceeds ISO7241 Series 'B' performance requirements.
- Wide variety of material choices, including: steel, brass, 303 stainless steel, and 316 stainless steel
- Available in sizes 1/8" to 2-1/2"

---

## HT - Series



- Interchangeable with Parker FEM-Series, Snap-Tite 74-Series, and Eaton FD89.
- Meets or exceeds ISO16028 performance requirements.
- The drybreak design prevents spillage upon disconnection and air inclusion during connection.
- Material choices include steel or 316 stainless steel
- Available in sizes 1/4" to 1"

---

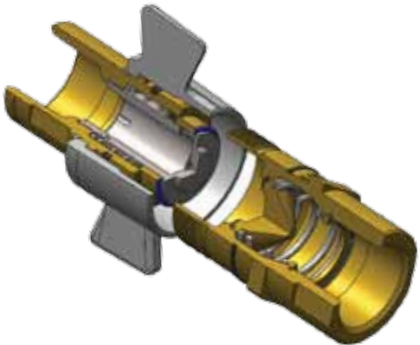
## K - Series



- Interchangeable with Parker 6600-Series, Safeway S56-Series, and Eaton 5600.
- Meets or exceeds ISO7241 Series 'A' performance requirements.
- Rugged steel construction and Trivalent Chrome plating will maximize durability and service life
- Available in sizes 1/4" to 2"

---

## W - Series



- Interchangeable with Parker 6100-Series, Snap-Tite 78-Series, and Eaton 5100.
- The drybreak design prevents spillage/air inclusion during connection/disconnection.
- The O-Ring full-connection indicator will remain highly visible, despite operation in dirty environments, allowing operators to ensure the parts are fully connected, maximizing the performance of their systems.
- The brass construction ensures optimum corrosion resistance, while the high tensile steel components resist failure associated with pressurized connection/disconnection and surge flow conditions.
- The bonded valve seal components prevent leakage and the use of an anti-extrusion ring on the main coupler valve will prevent seal damage and eventual failure of O-Rings due to hydraulic pressure spikes.